

## Specification

Model	TR-D2121R3W
Image sensor	1/2.9" CMOS 2MP
Resolution	FullHD(1920x1080)
Frame rate	50Hz: FullHD@25fps 60Hz: FullHD@30fps
Electronic shutter speed	1/2 ~ 1/1 000 s
Day/Night mode	Mechanical ICR
Sensitivity	0.005Lux (F1.3)
IR range	up to 35 m
Lens (mm)	3.6
Field of view (horiz./vert.)	81° / 44°
WDR	Real WDR (105dB)
Digital Noise Reduction	3D DNR
Video compression	H.265 / H.264
Bitrate	up to 8Mbps
Local storage	MicroSD up to 128GB
Audio	Built-in microphone
Corridor mode	Yes
Wi-Fi	No
Power	12V DC (1A)
Power consumption	5.5W
Casing material	Metal
Dimensions (mm)	184.3 x 68 x 68
Net/Gross weight (g)	460 / 565
Protection	IP67
Power surge suppressor	TVS 4000V
Working temperature	-40°C ... +60°C

## Technical support

[www: helpdesk.trassir.com](http://www.helpdesk.trassir.com)  
[mail: helpdesk@trassir.com](mailto:helpdesk@trassir.com)

## TR-D2121R3W

2MP Bullet Wireless IP camera



Data \_\_\_\_\_ Stamp \_\_\_\_\_

Here is the confirmation form for warranty assurance

**Note: read user manual before using**  
**Website: [www.trassir.com](http://www.trassir.com)**  
**For any inquiry: [info@trassir.com](mailto:info@trassir.com)**

## Introduction

Congratulations on purchasing TR-D2121R3W IP camera.  
Please read User Manual before using the camera.

## Key features

- Supports H.265 codec
- Wide Dynamic Range (Real WDR 105dB)
- IR range up to 35 m
- Built-in video archive (Edge Storage) - local recording to MicroSD card up to 128 GB\*
- Built-in microphone
- Both Wi-Fi and Ethernet video transmission
- TCP/IP, HTTP, FTP, DHCP, DNS, DDNS, RTP, RTSP, RTCP, UPnP, SMTP, NTP, Onvif protocols
- IVS: Human detection, Line crossing, Intrusion detection
- Power supply 12V DC

\* MicroSD Card is not included into camera package

## Camera Package

- |                     |       |
|---------------------|-------|
| 1. IP camera        | 1 pc. |
| 2. User manual      | 1 pc. |
| 3. Mounting kit     | 1 pc. |
| 4. Sticker template | 1 pc. |
| 5. Wi-Fi Antenna    | 1 pc. |

### Attention!

The power supply should meet the following requirements: output voltage, current, polarity, and working temperature. When using the camera in thunderstorm conditions, make sure there is a lightning rod or unplug the power connector.  
Pay attention to the temperature requirements for IP camera operation. Avoid using the device in excessively high or low temperatures. Do not install the camera near heaters. Do not point the camera lens at the sun or at bright objects as this can damage the image sensor.

## Quick start

1. Plug in the power adapter from a package. The camera will turn on in a minute.
2. Create your user account at [cloud.trassir.com](http://cloud.trassir.com).
3. Download TRASSIR app from Google Play or AppStore.
4. Launch TRASSIR app and sign in to your account.
5. *Settings > Add camera > TRASSIR >* then follow the instructions in the application.

\* IP cam's WiFi password: 12345678

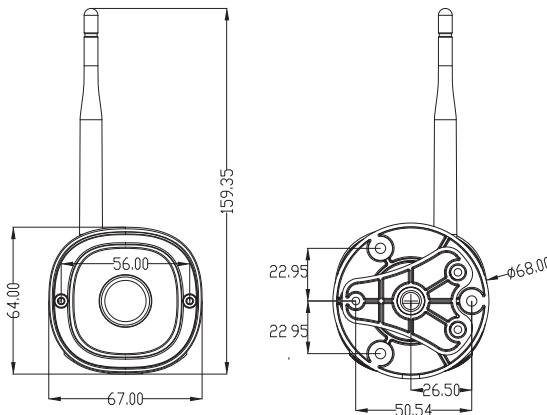
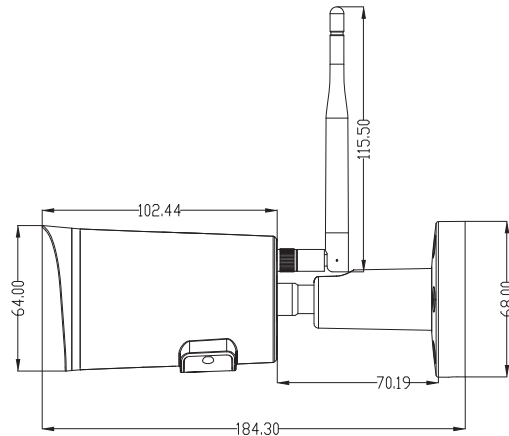


AppStore



GooglePlay

## Dimensions



## Manual setting of network parameters

In order to connect to the IP camera, the PC should be in the same local network as the camera. The IP address of the camera, the PC and any other device on the network should not match.

The IP camera has the following default settings:

- IP address: 192.168.1.188
- Subnet mask: 255.255.0.0
- Gateway: 192.168.1.1
- HTTP-port: 80
- username: admin
- password: admin

PC network settings example:

- IP address: 192.168.1.10;
- Subnet mask: 255.255.0.0.

There are 3 options to set up your camera:

1. Change IP address of a camera manually.  
Start your browser, connect to IP camera and enter your username and password. Choose appropriate menu item and change network settings of IP camera.
2. Set up camera IP address using fast configuration utility that can be downloaded from [www.trassir.com](http://www.trassir.com).
3. Change IP camera settings using TRASSIR professional software.

You can find detailed camera settings instructions in User Manual that can be downloaded from [trassir.com](http://trassir.com).